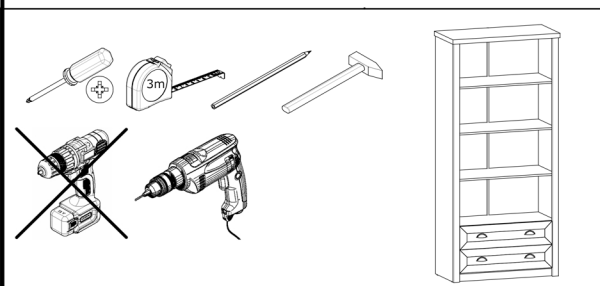
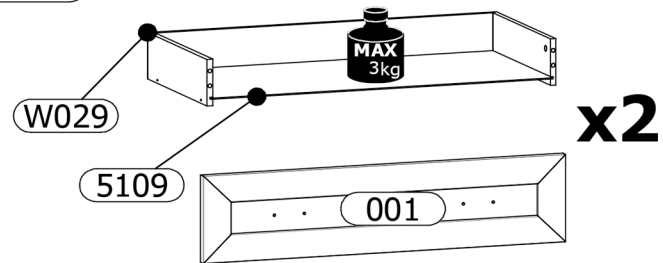
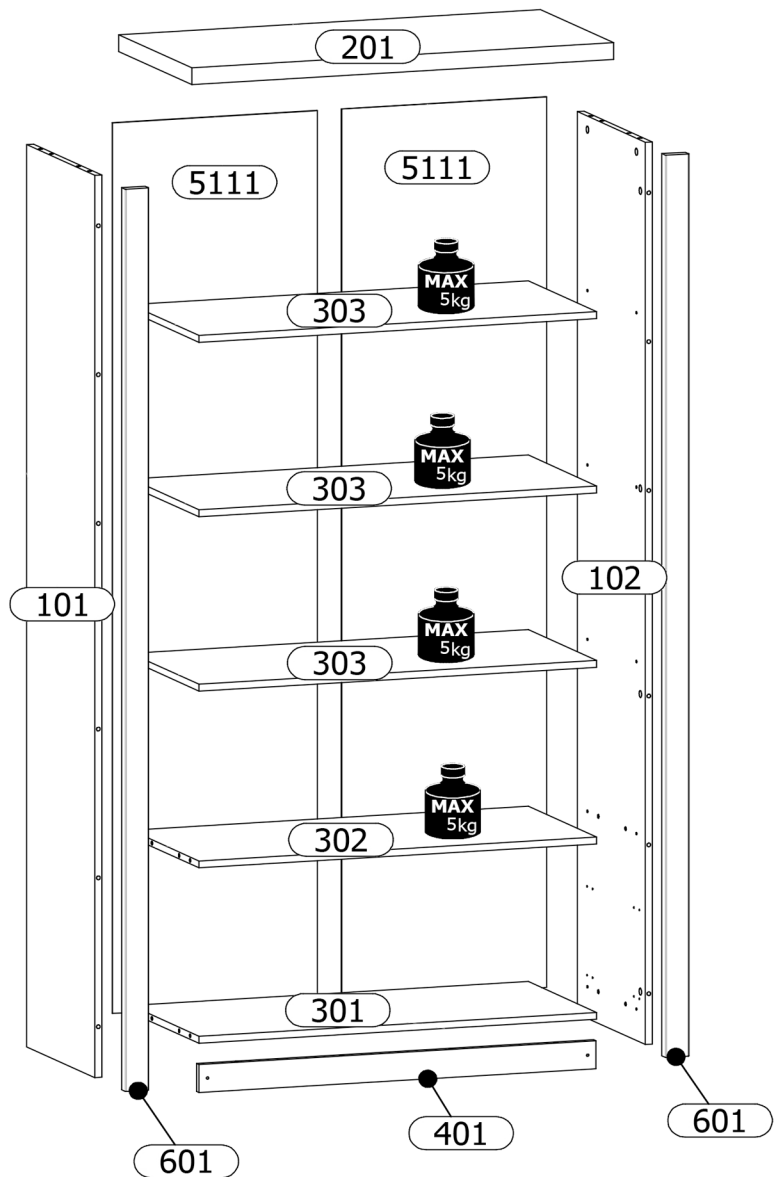
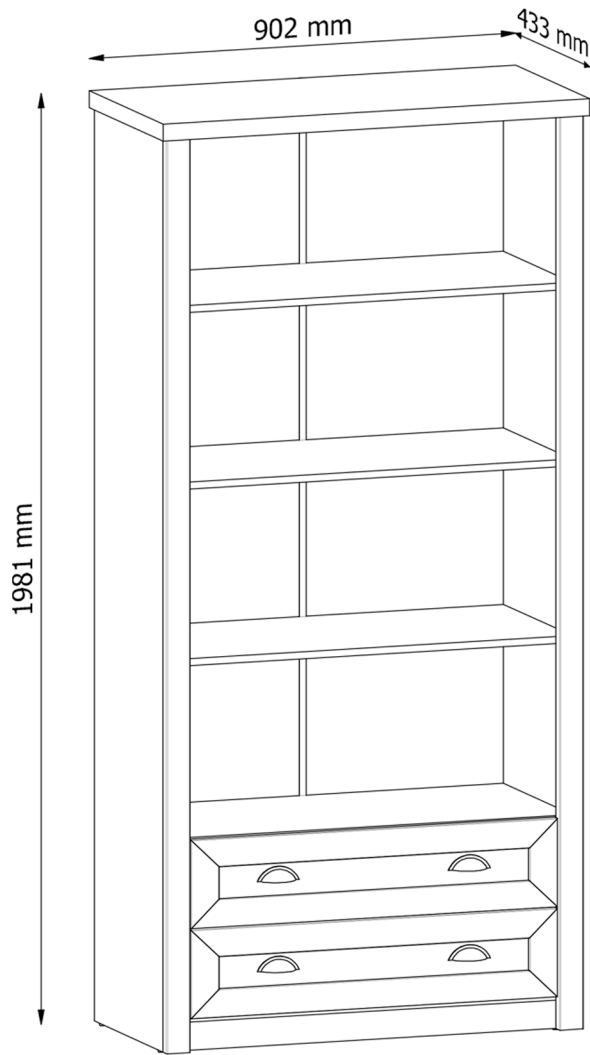
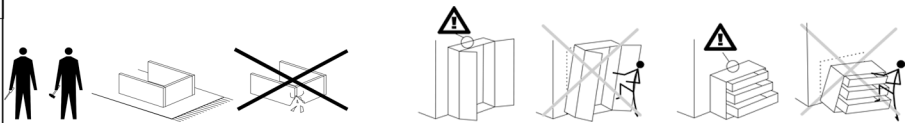


R2 SA

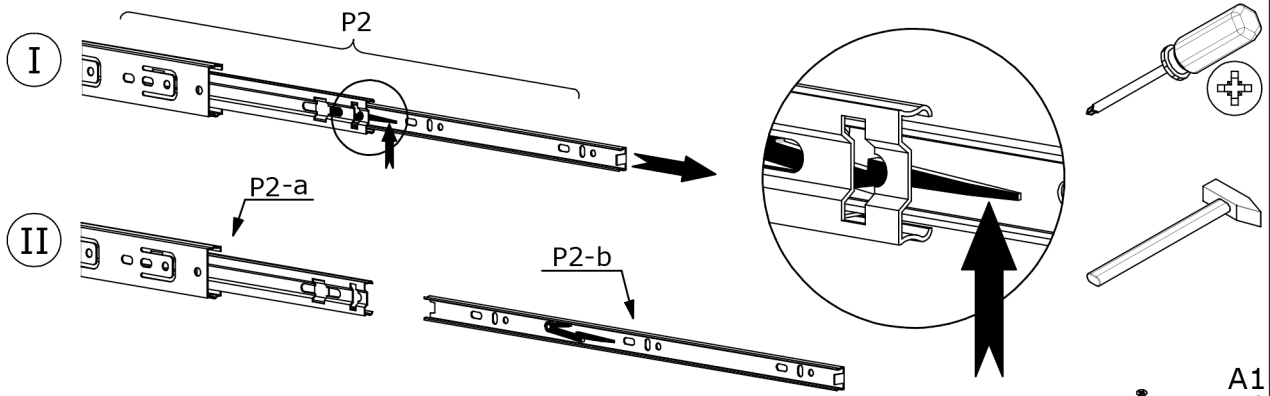


A1 x24 Ø8x35mm	B1 x24 Ø5x38mm	C1 x20 Ø15x12mm	C2 x4 Ø12x10mm	E1 x12 Ø5x16mm
F2 x8 40mm	G1 x44 26mm	H x1 1915mm	J1 x14 Ø21mm	P2 x4 350mm
T4 x2 75x28x16 mm	U3 x4 92x33mm	W1 x12 Ø3,5x13mm	W2 x20 Ø3,5x16mm	W5 x10 Ø4x30mm
X2 x8 M4x16mm	Y1 x4 Ø8x1,5mm	Y5 x7 Ø15x20mm		

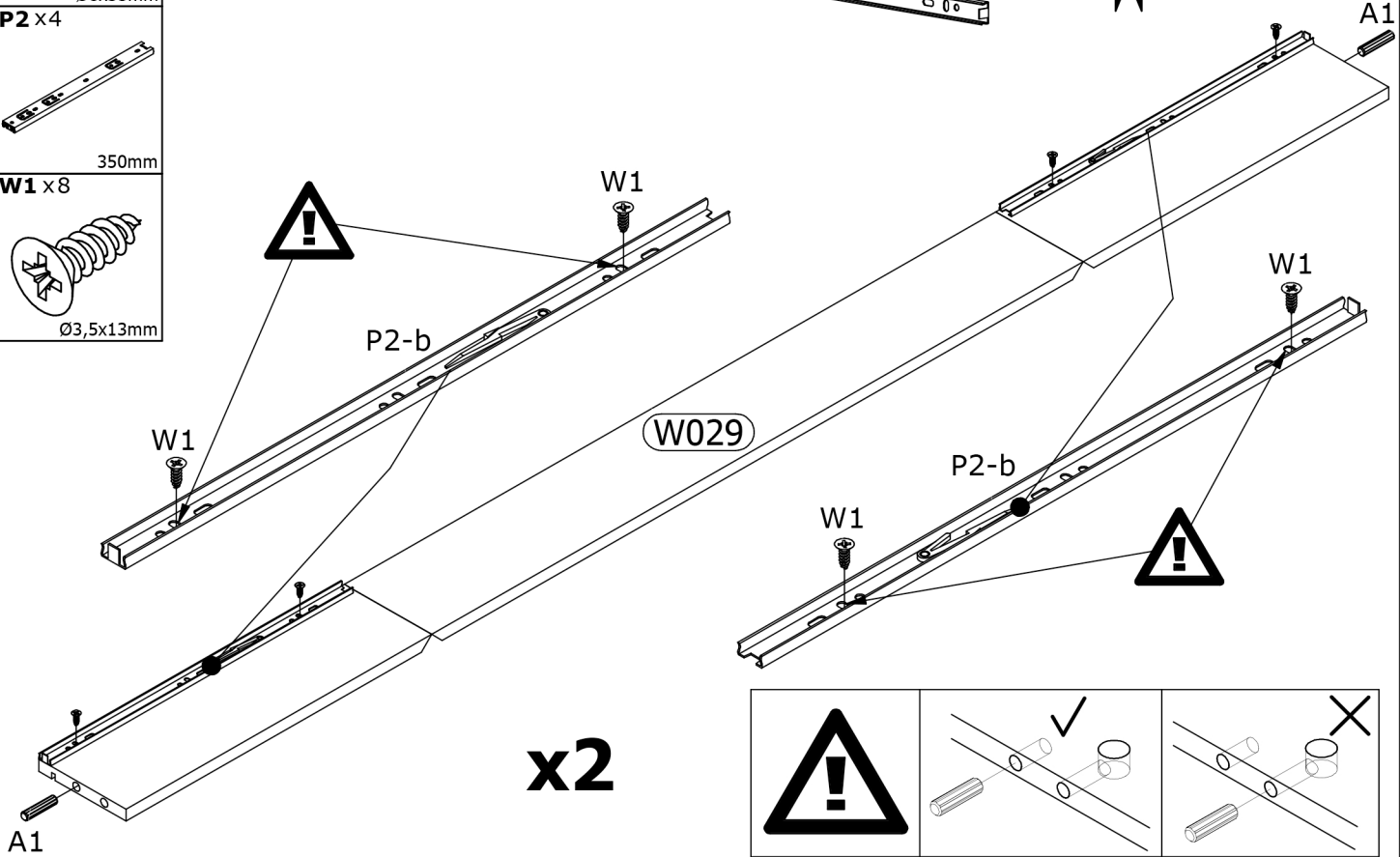
No	L[mm]	W[mm]	H[mm]	PCS	BOX
W029	1446	100	12	2	2/3
001	775	188	18	2	1/3
101	1940	400	15	1	2/3
102	1940	400	15	1	2/3
201	902	430	36	1	1/3
301	850	400	15	1	2/3
302	850	400	15	1	2/3
303	850	400	15	3	1/3
401	849	60	15	1	1/3
5109	730	351	2,5	2	2/3
5111	1915	438	2,5	2	2/3
601	1940	50	22	2	2/3



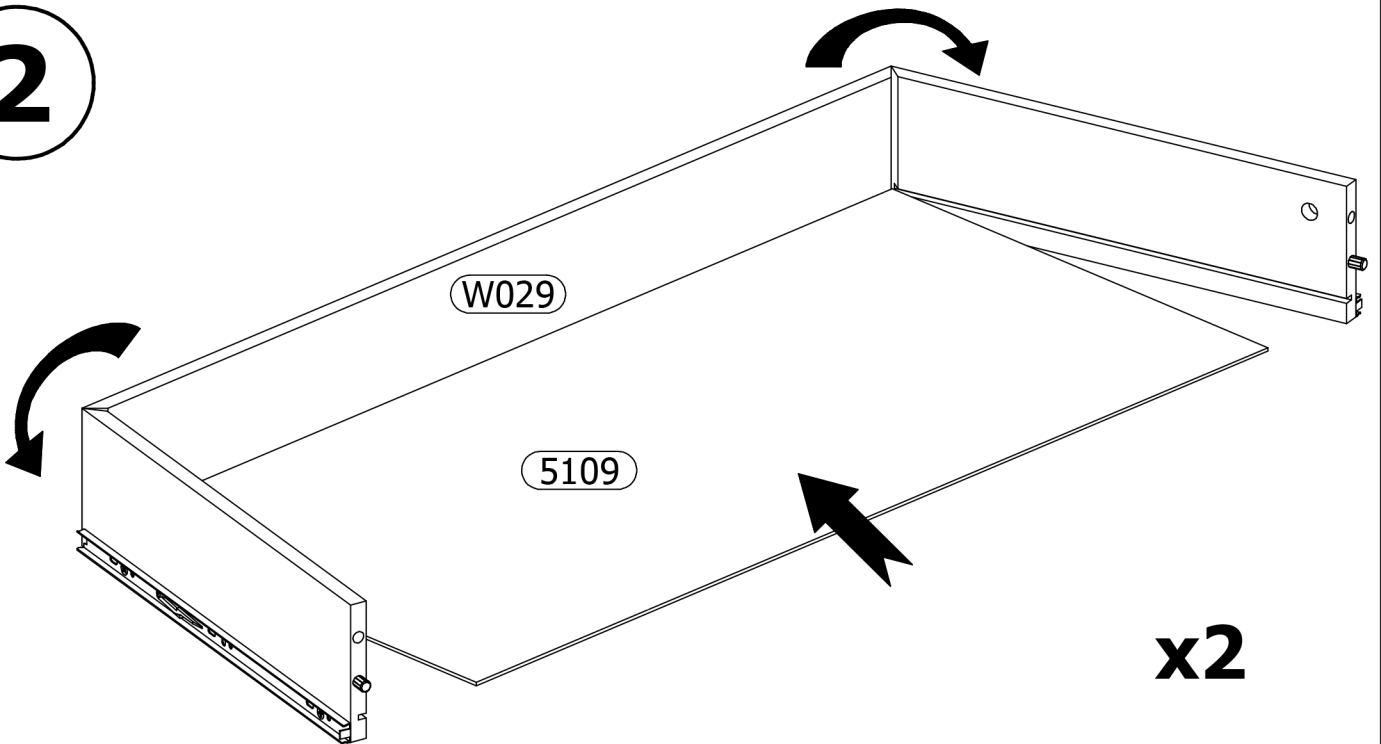
1



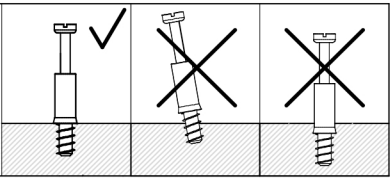
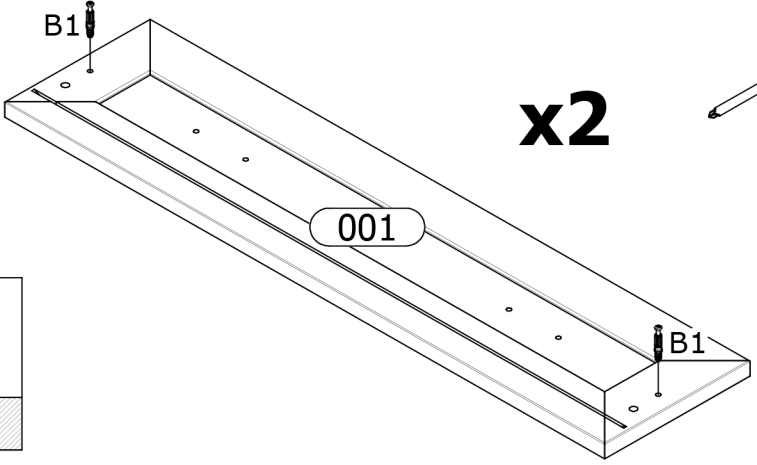
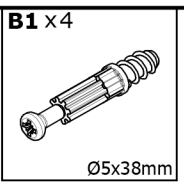
- A1** x4
Ø8x35mm
- P2** x4
350mm
- W1** x8
Ø3,5x13mm



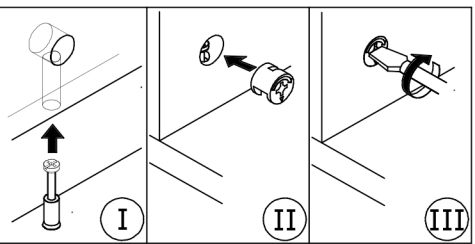
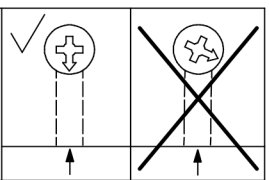
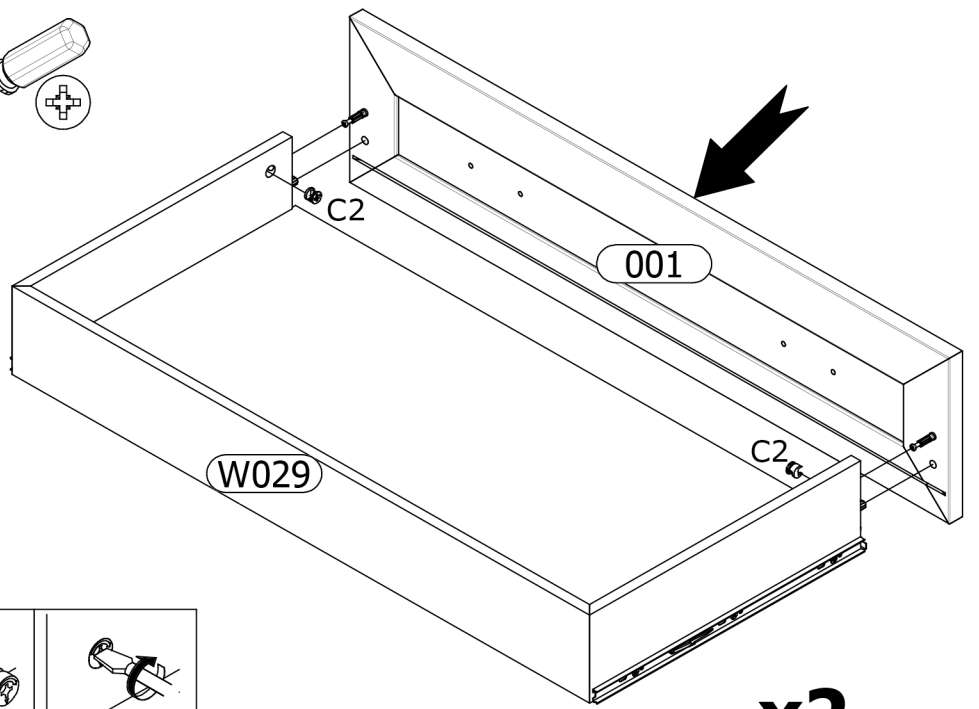
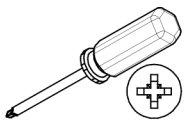
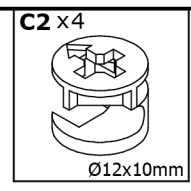
2



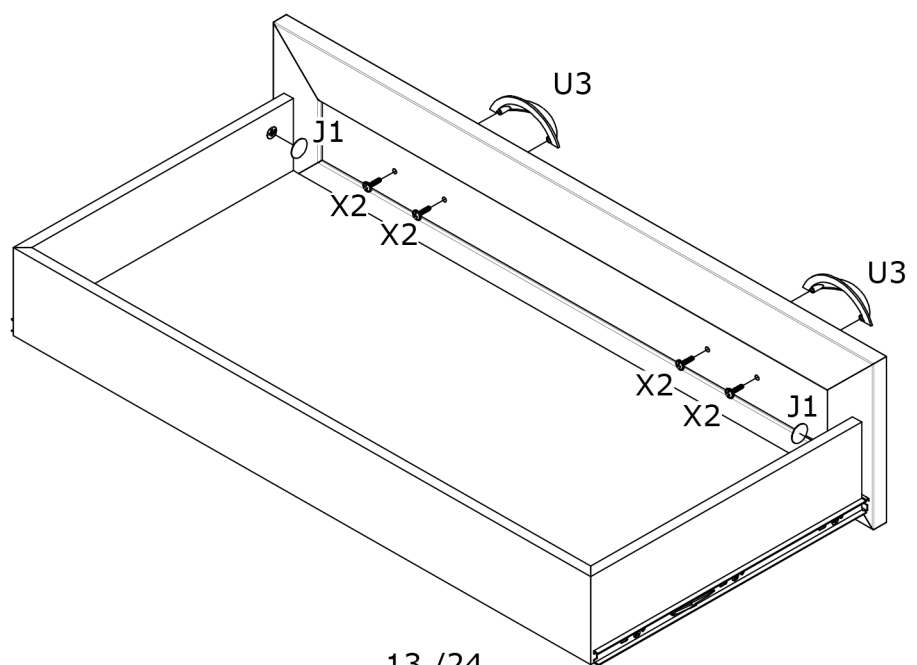
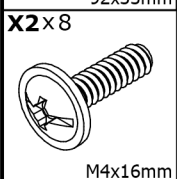
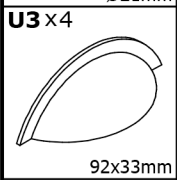
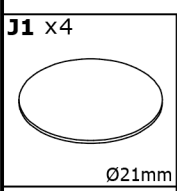
3



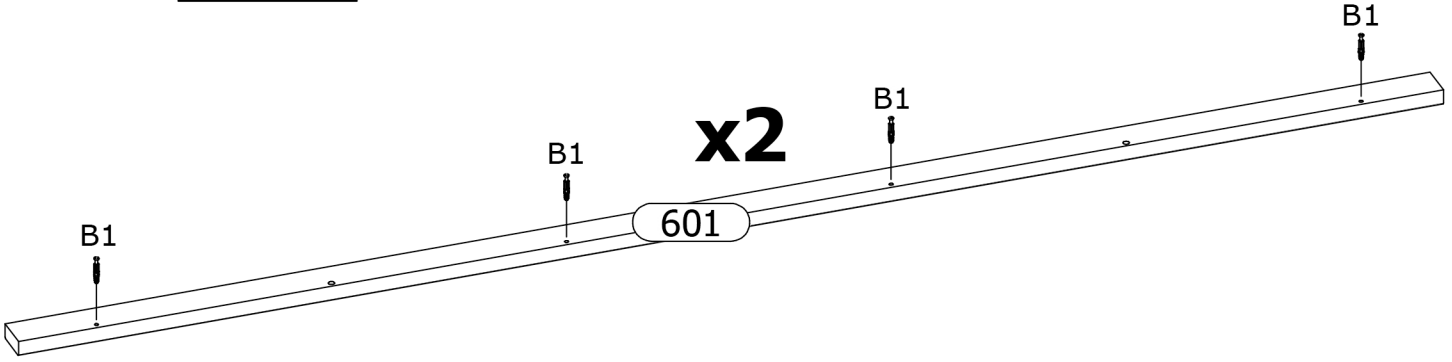
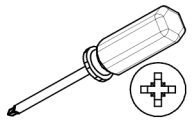
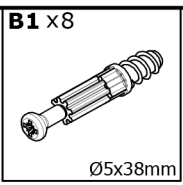
4



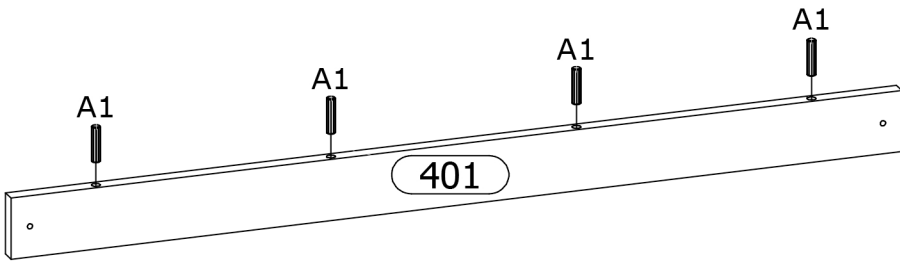
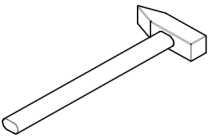
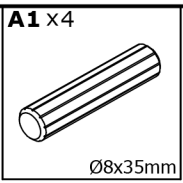
5



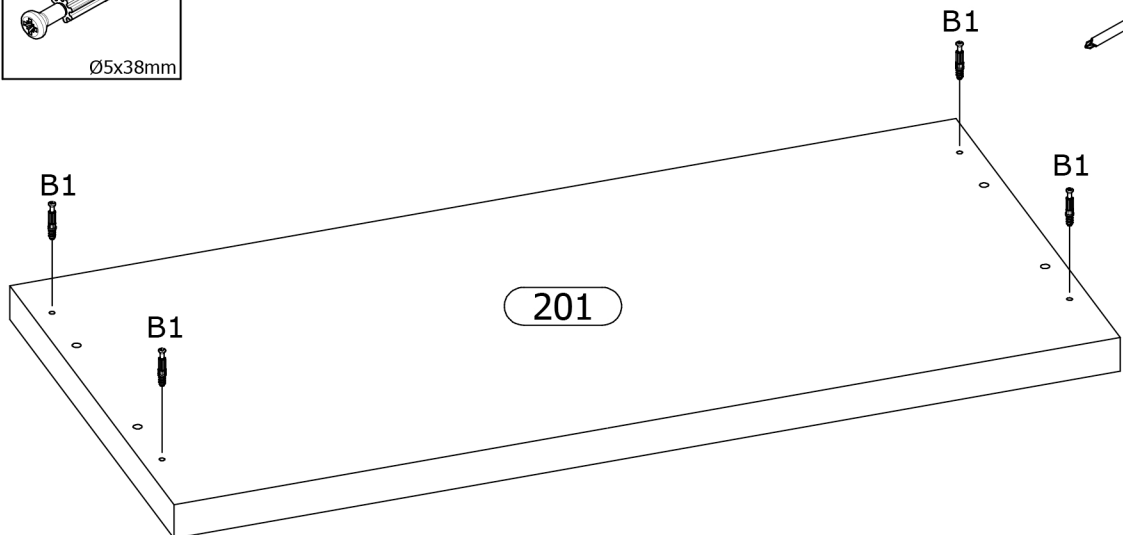
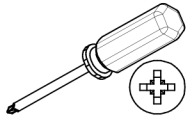
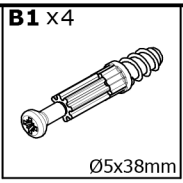
6



7

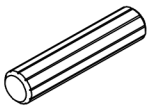


8



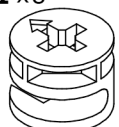
9

A1 x 8

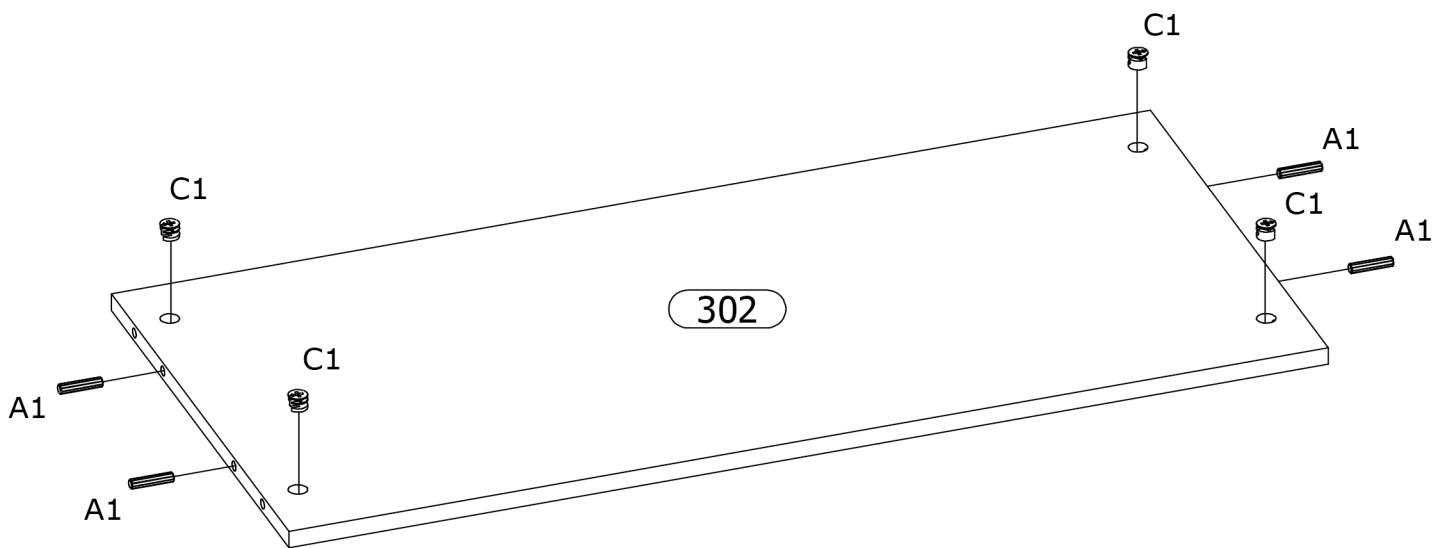
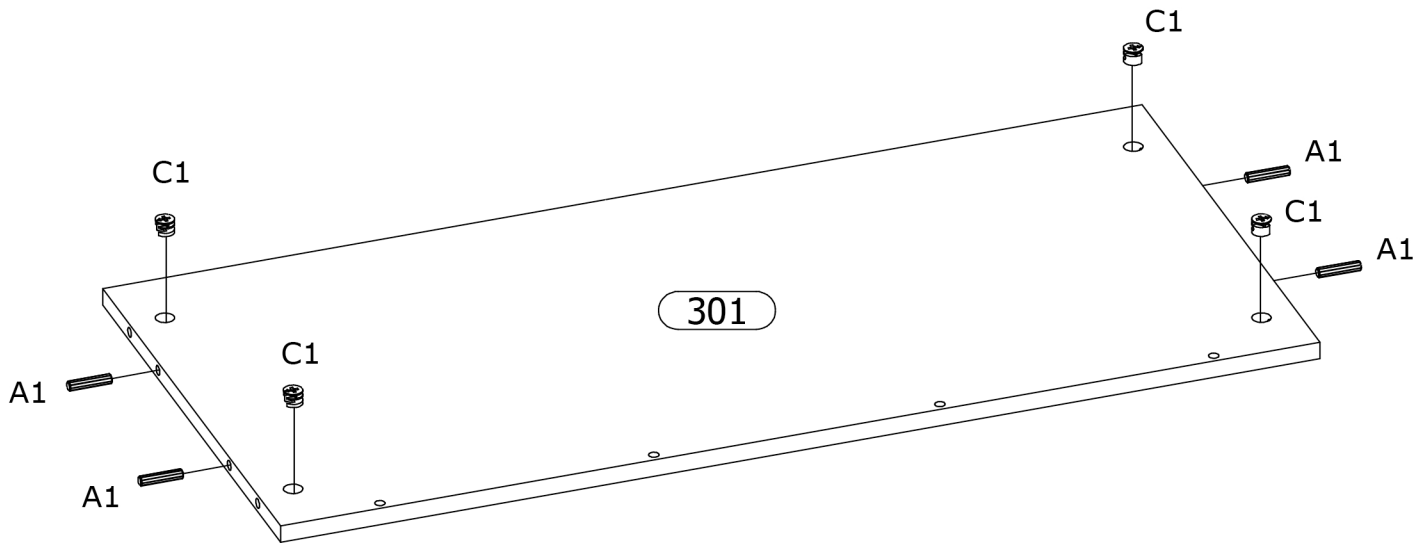
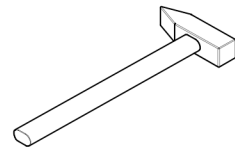


Ø8x35mm

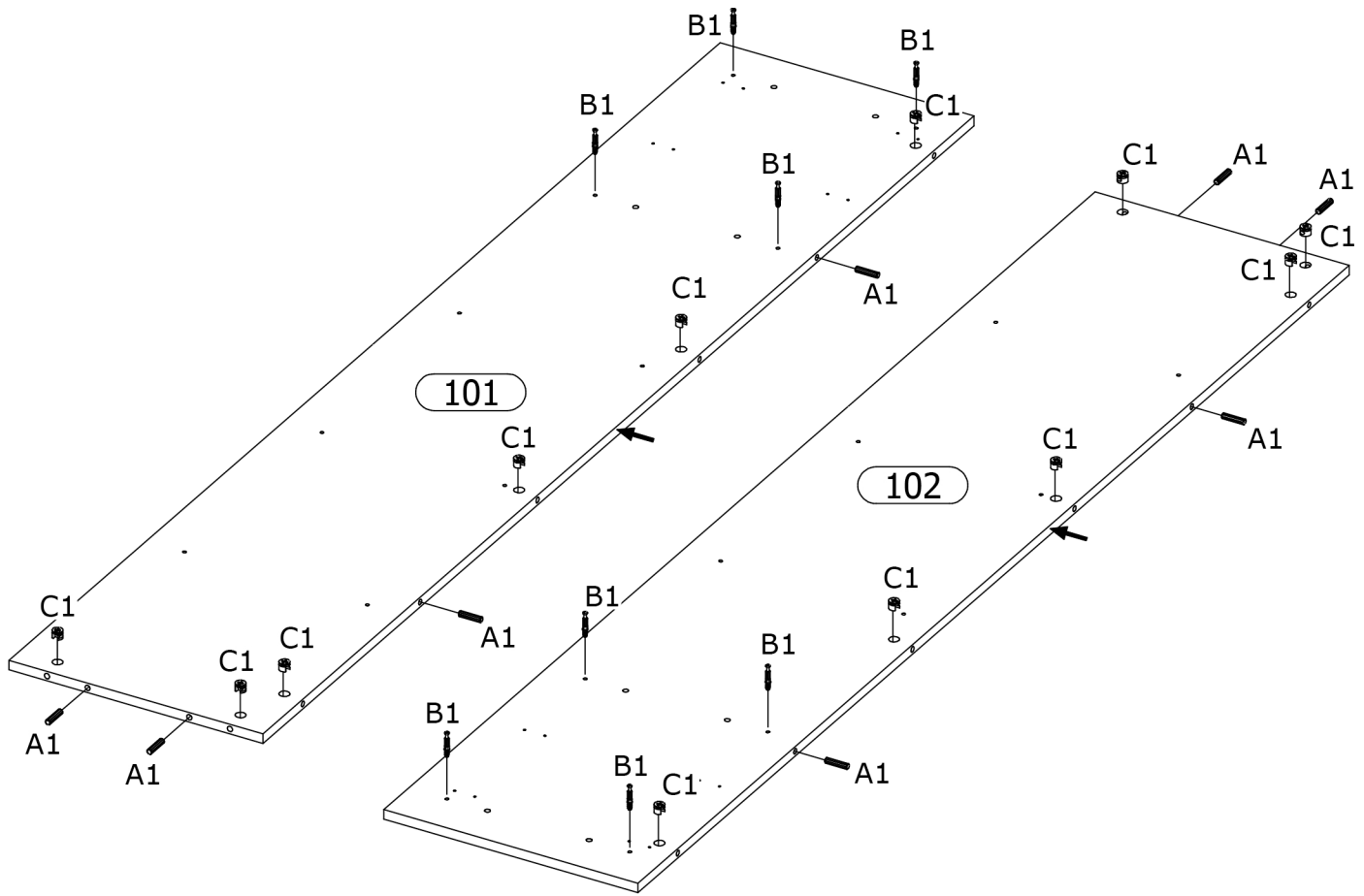
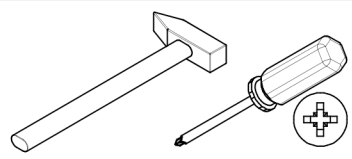
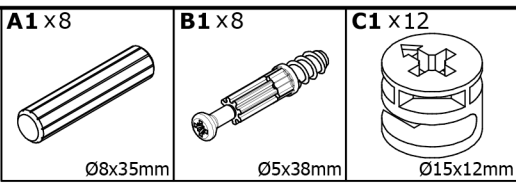
C1 x 8



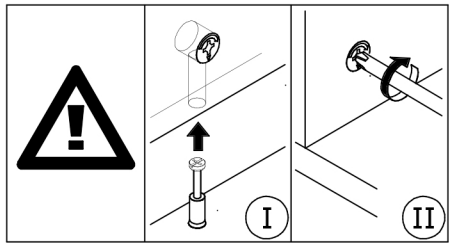
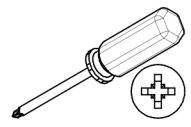
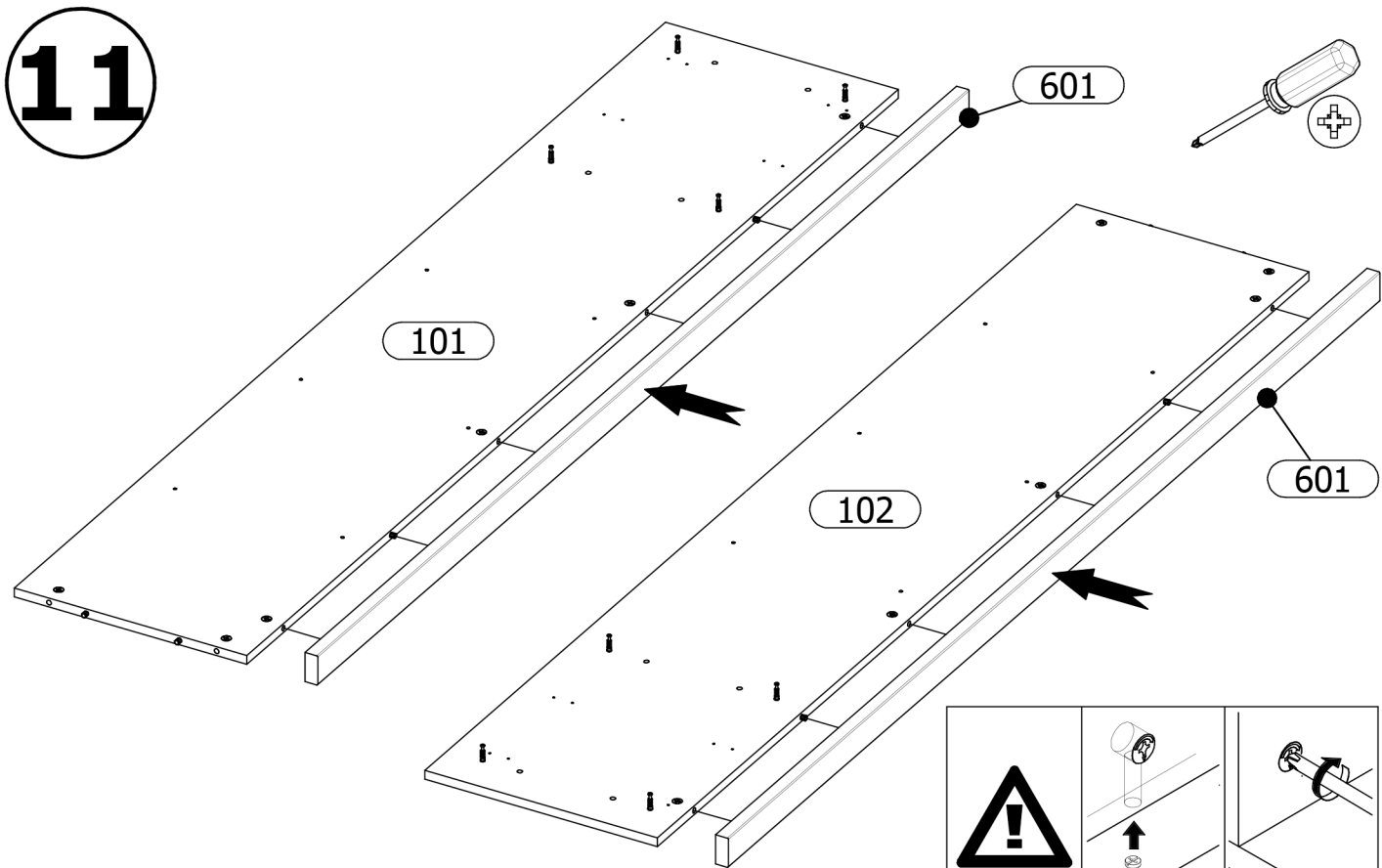
Ø15x12mm



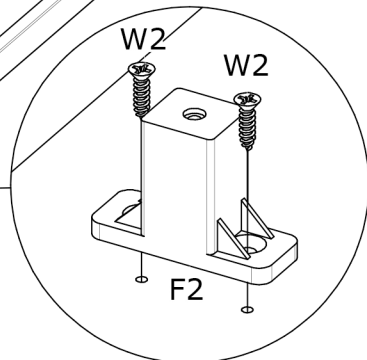
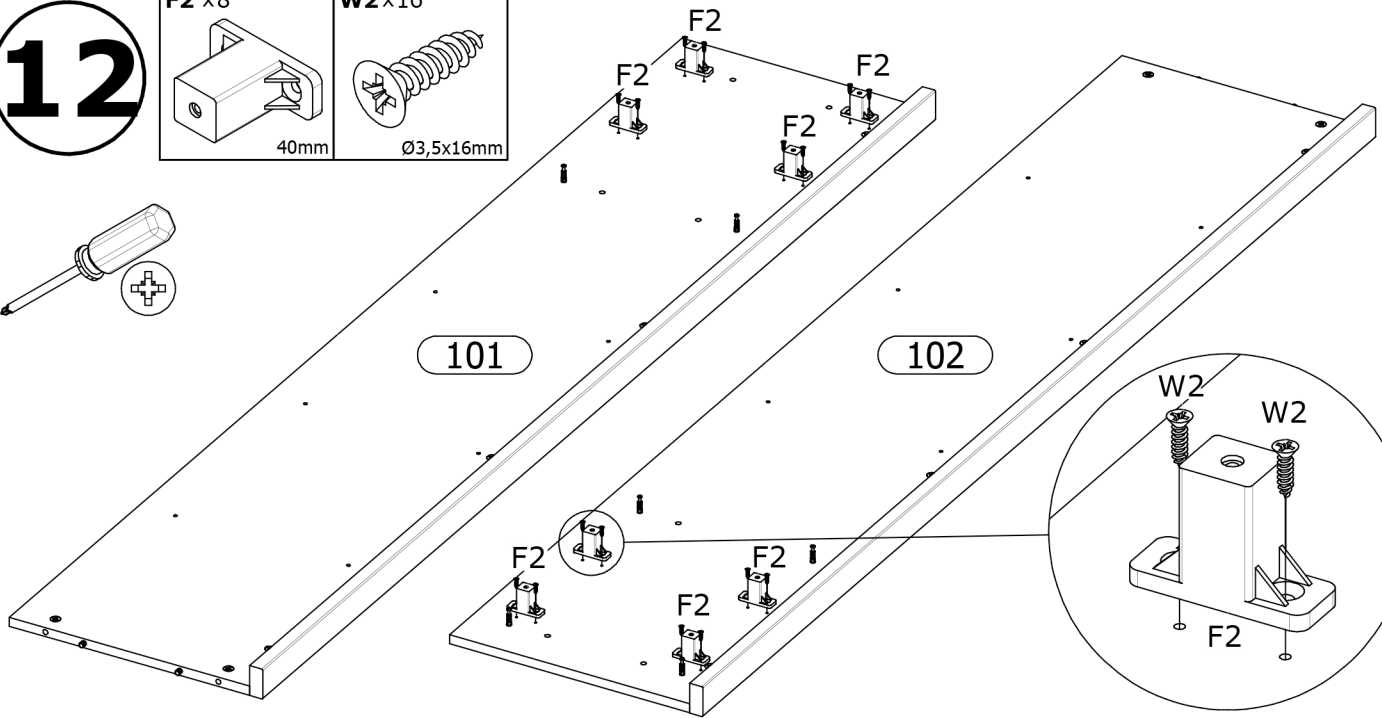
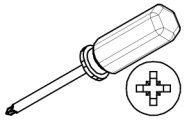
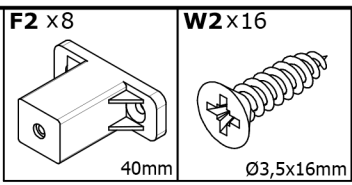
10



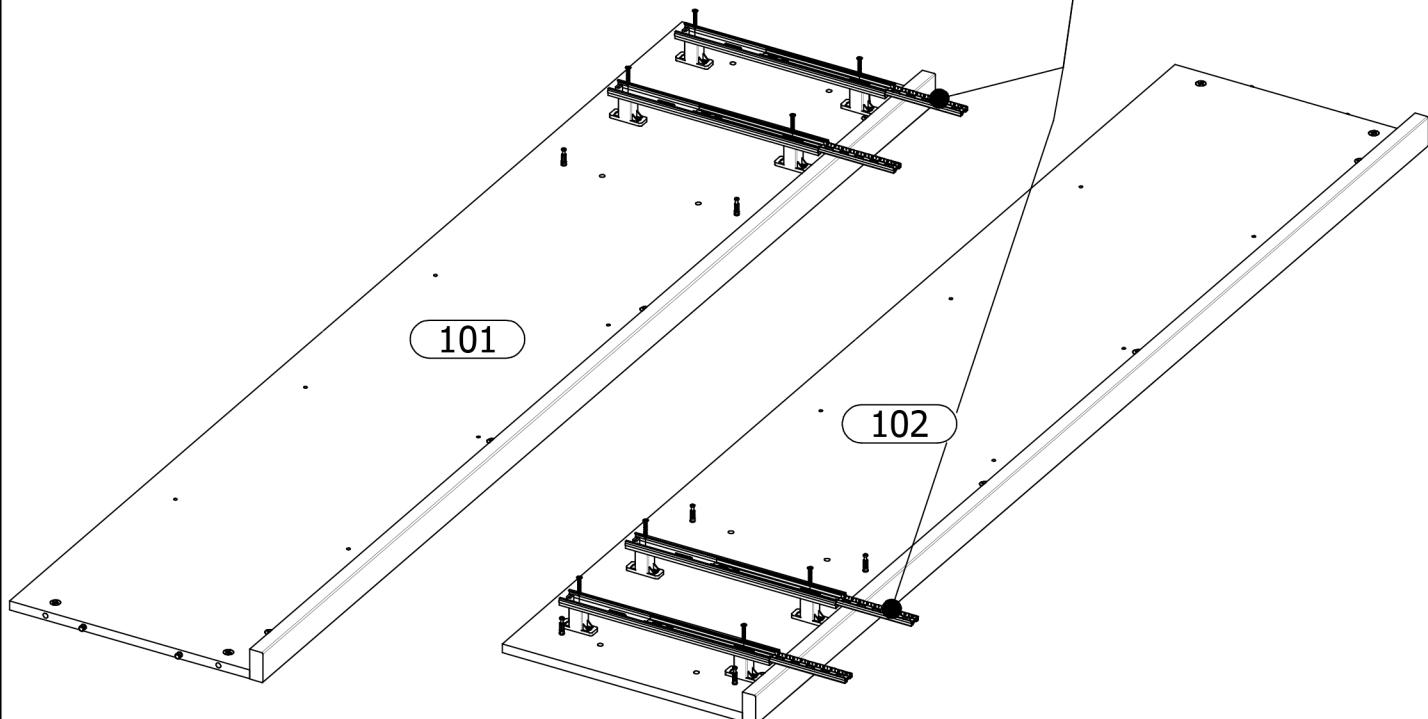
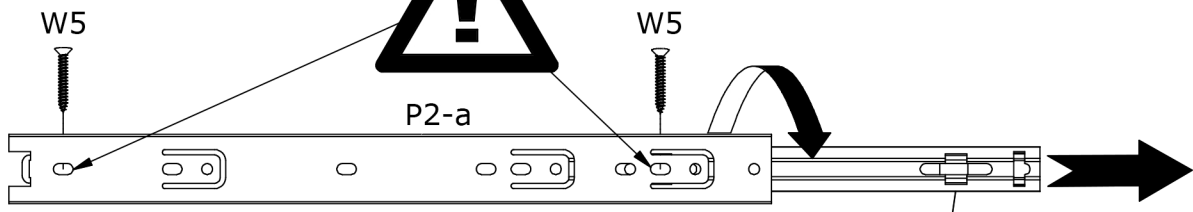
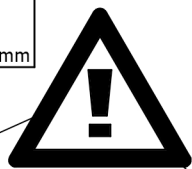
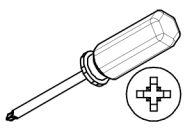
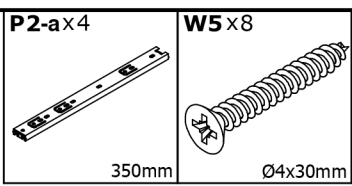
11



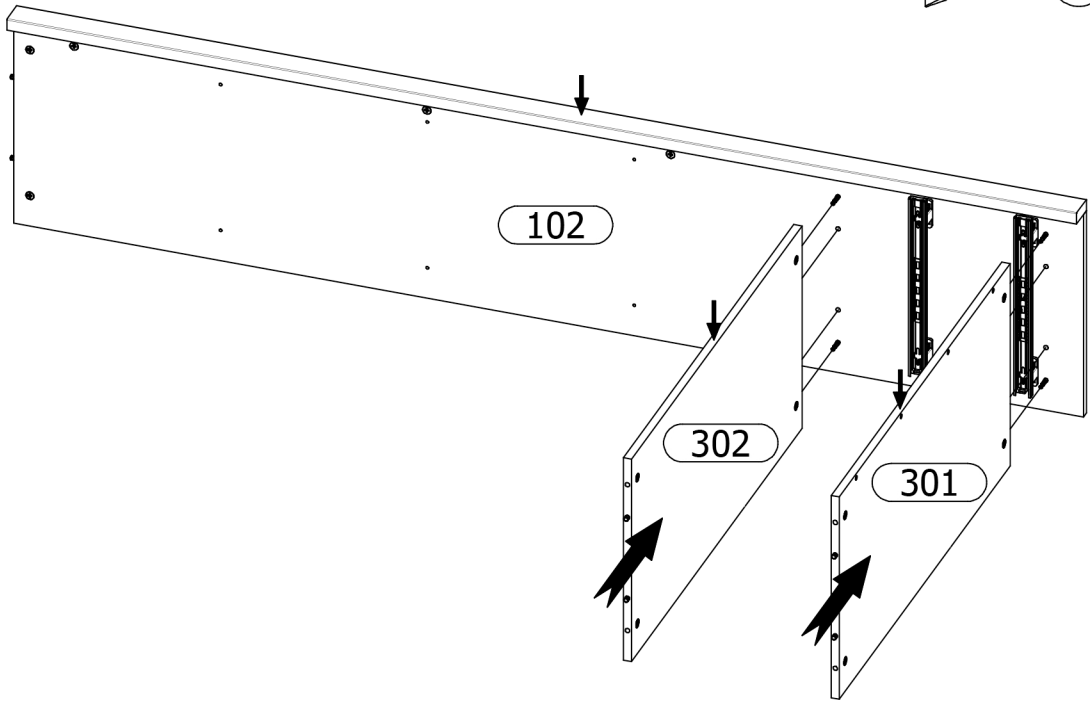
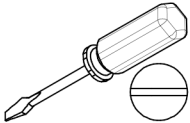
12



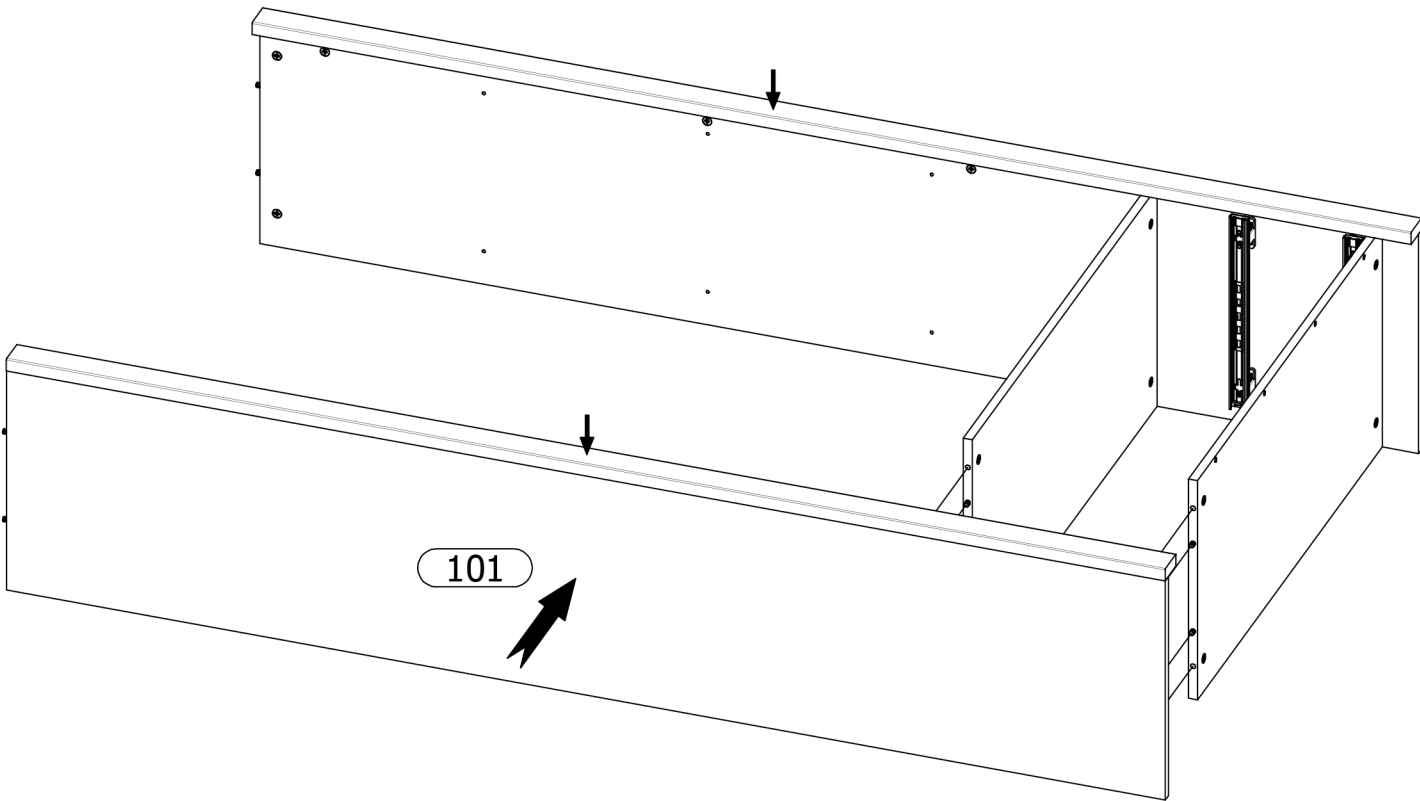
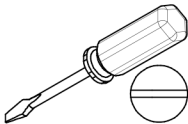
13



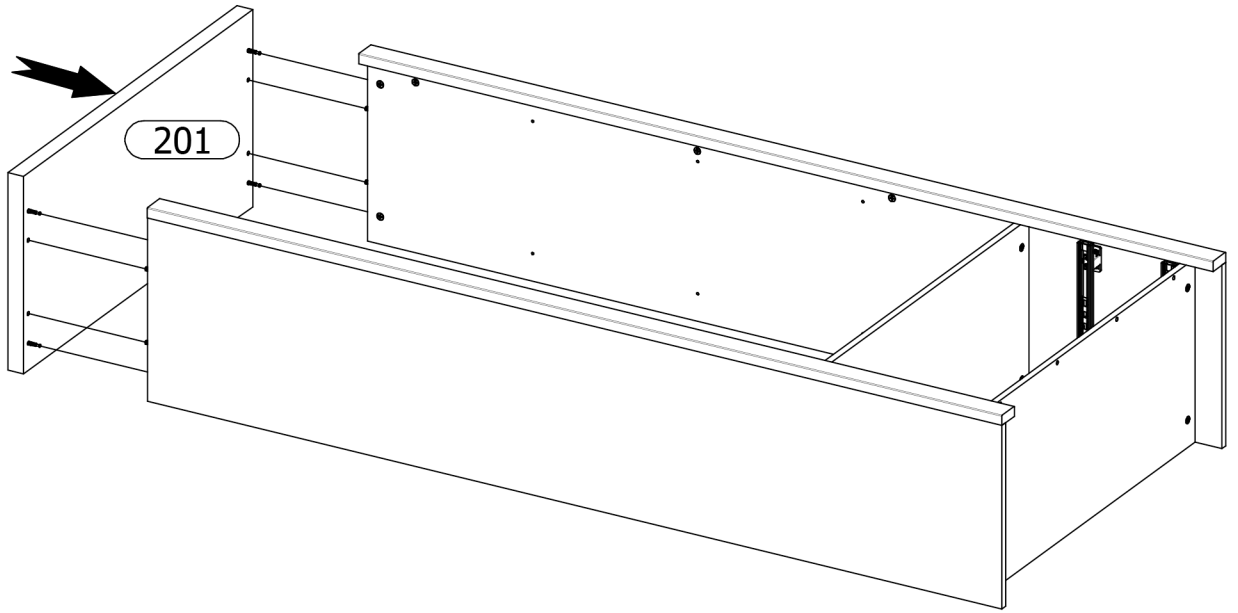
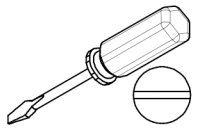
14



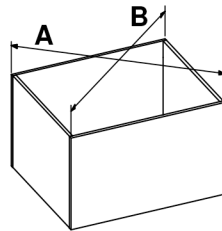
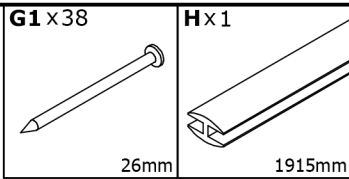
15



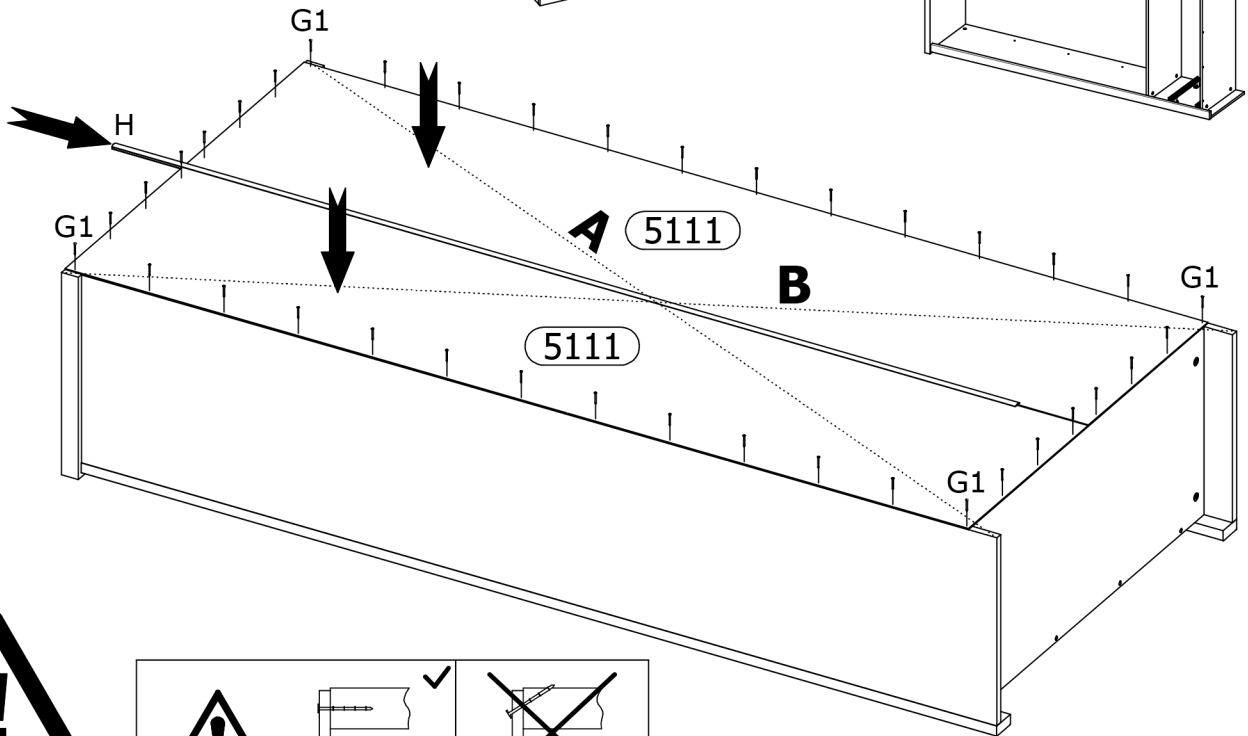
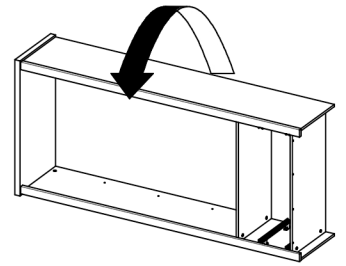
16



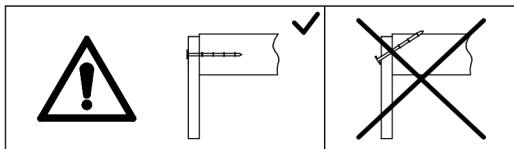
17



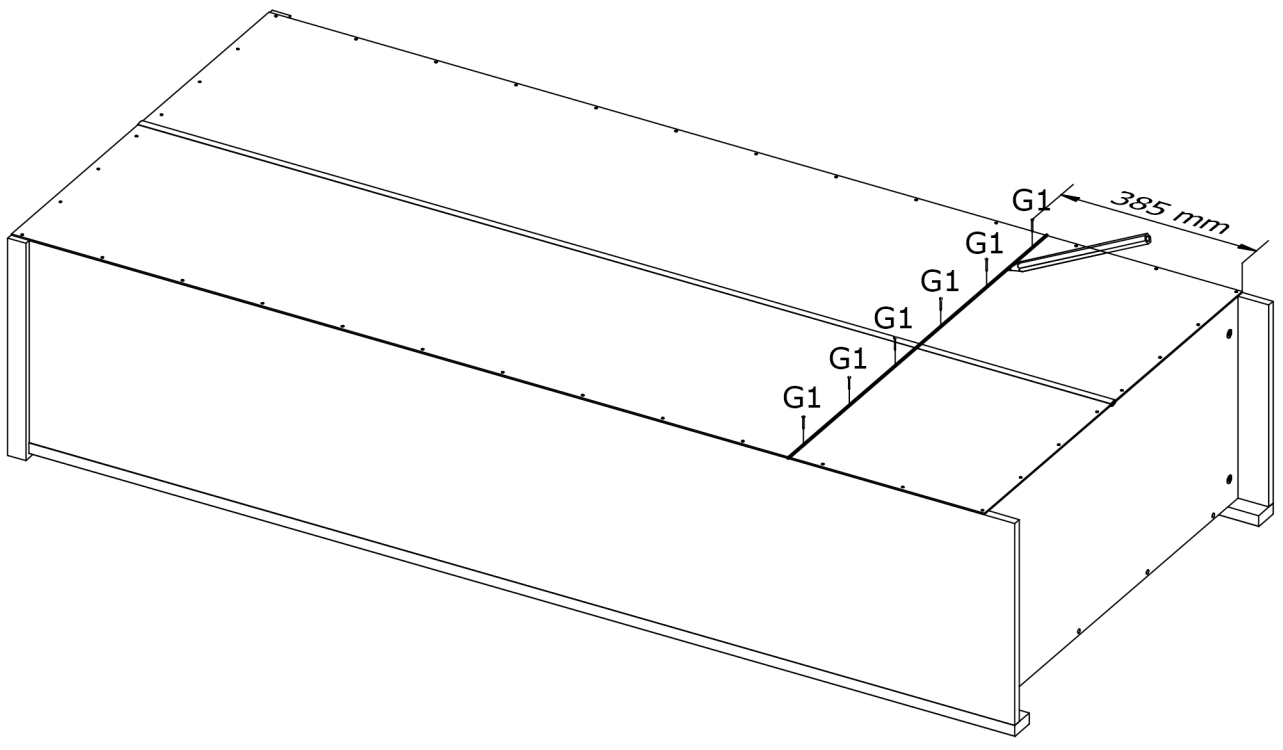
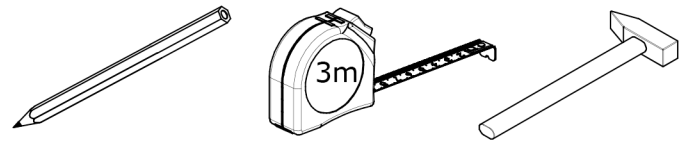
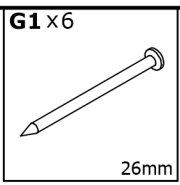
A=B



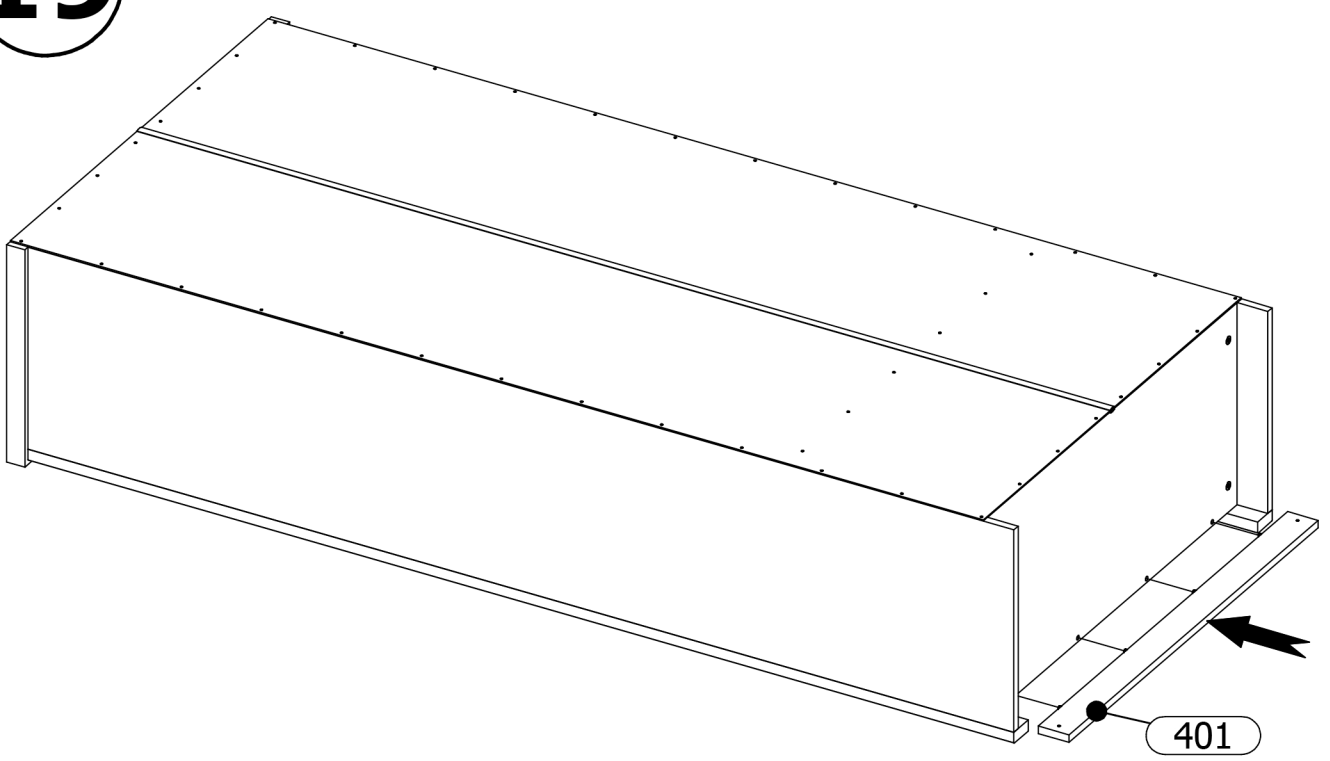
A=B ≡ 90°



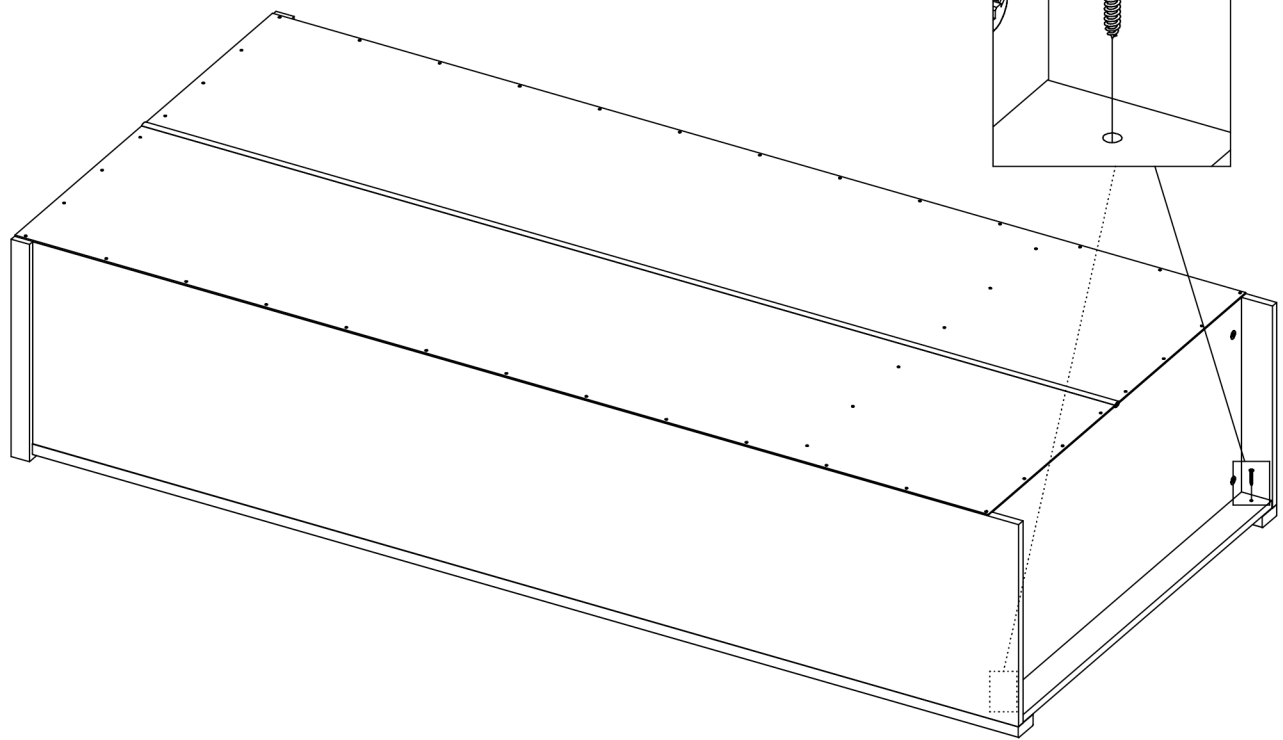
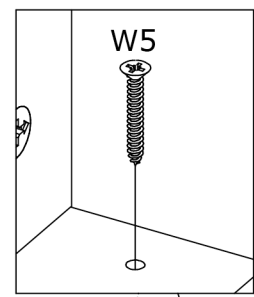
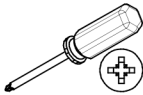
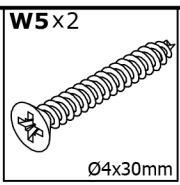
18



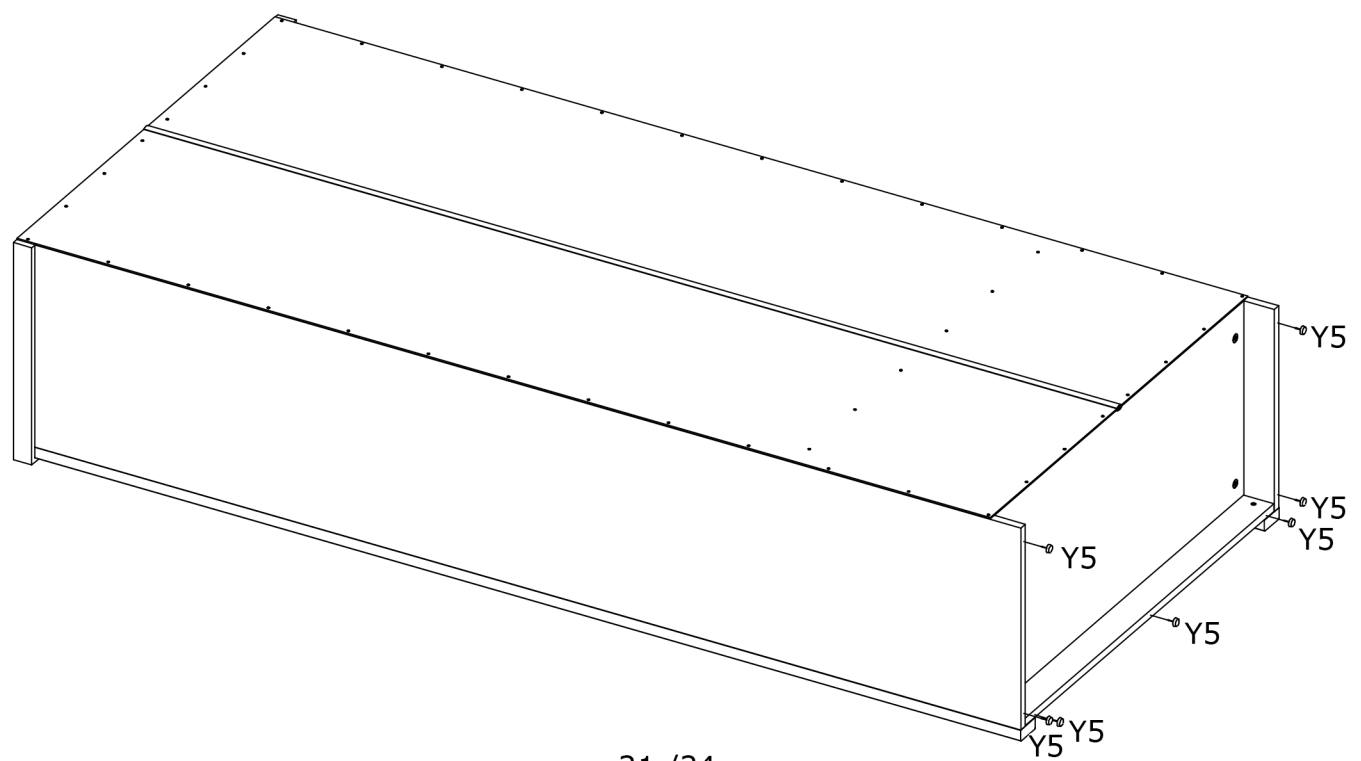
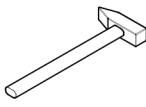
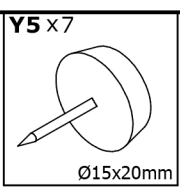
19



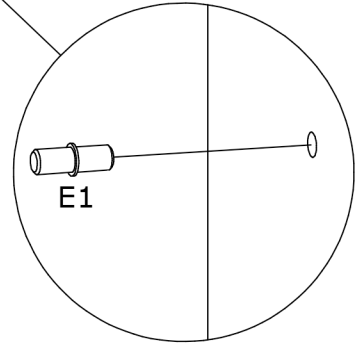
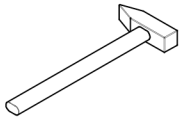
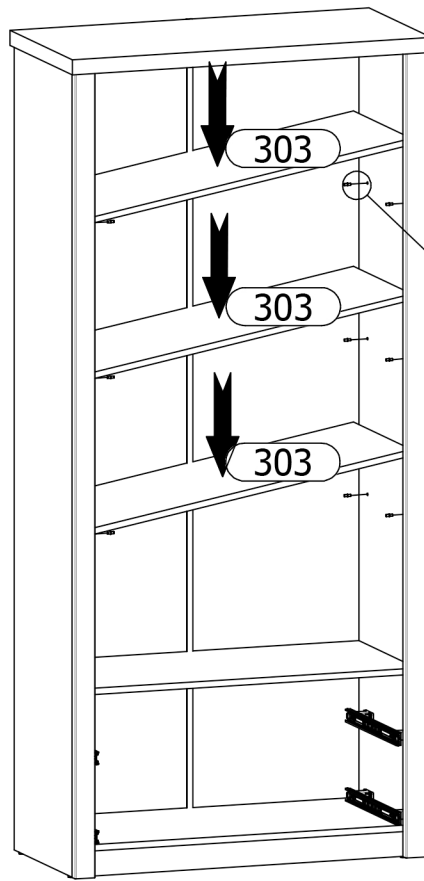
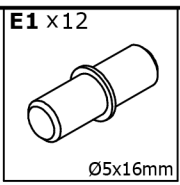
20



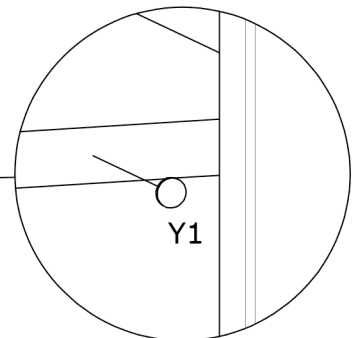
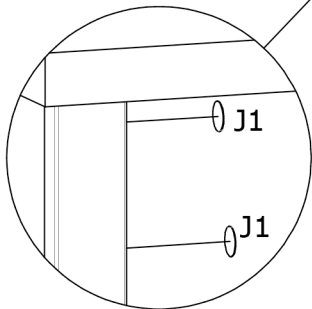
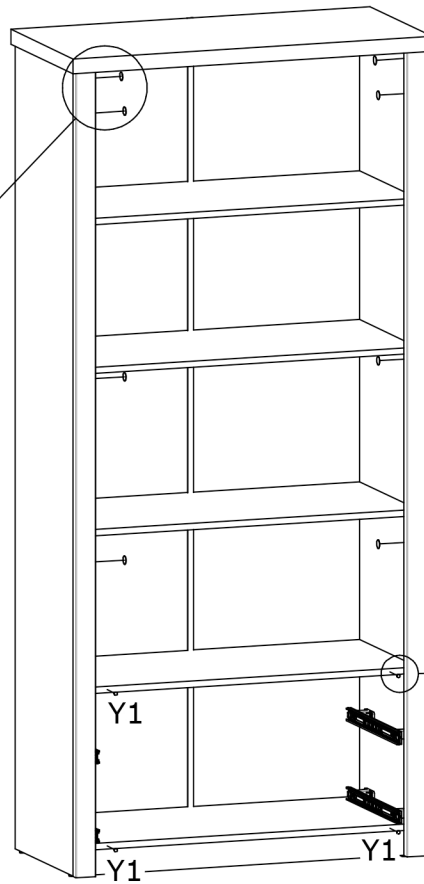
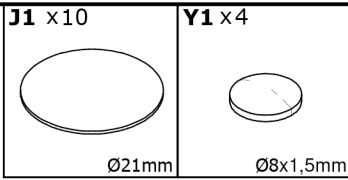
21



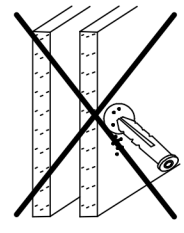
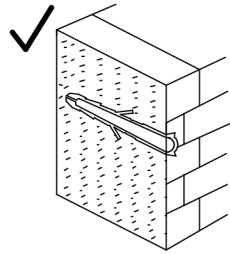
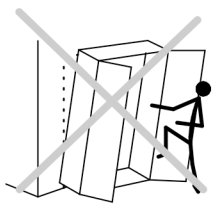
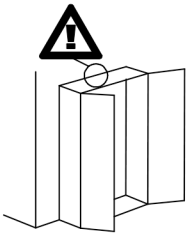
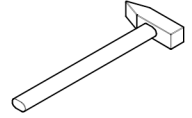
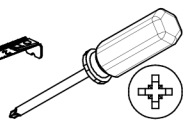
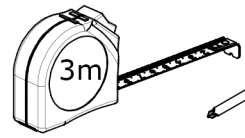
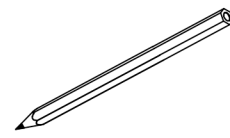
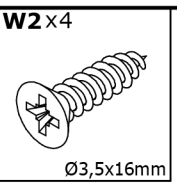
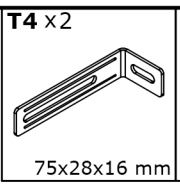
22



23

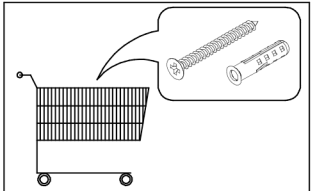
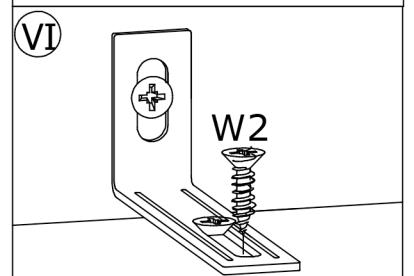
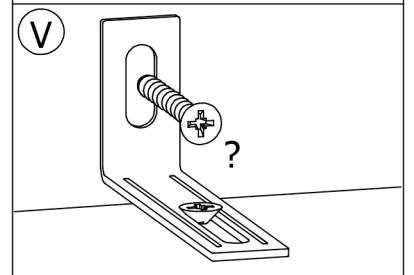
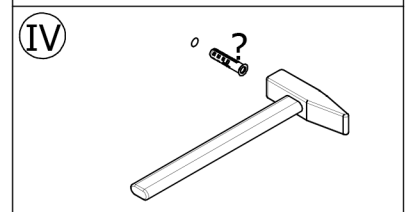
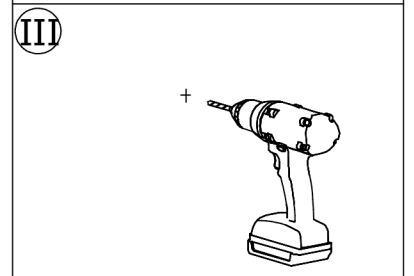
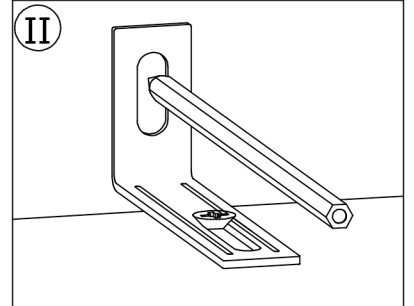
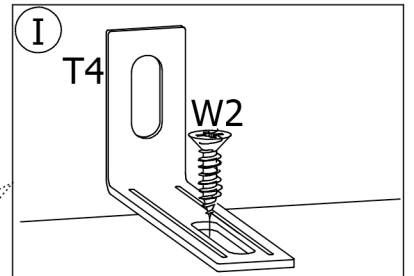
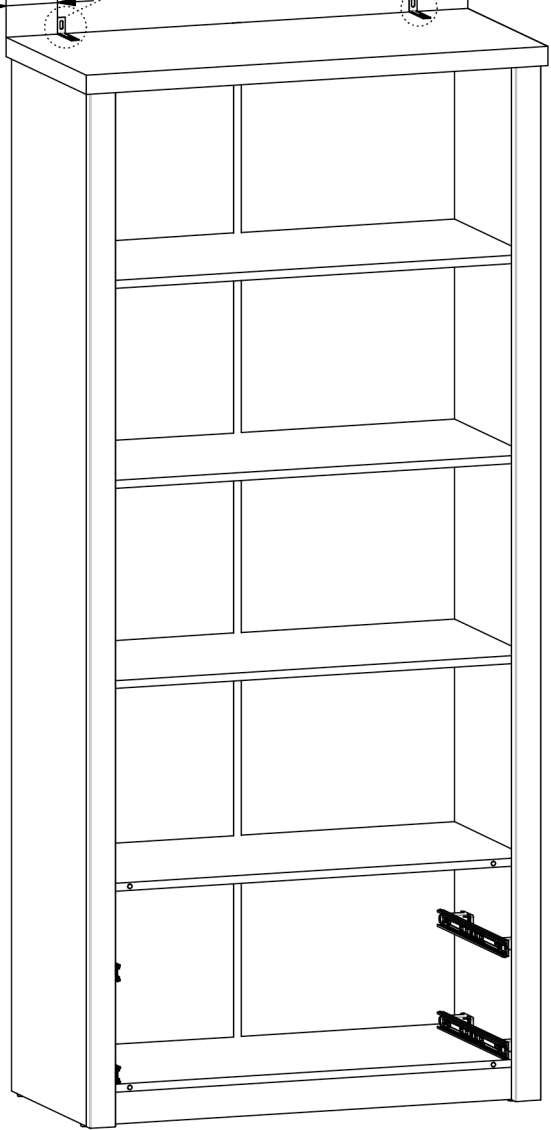


24

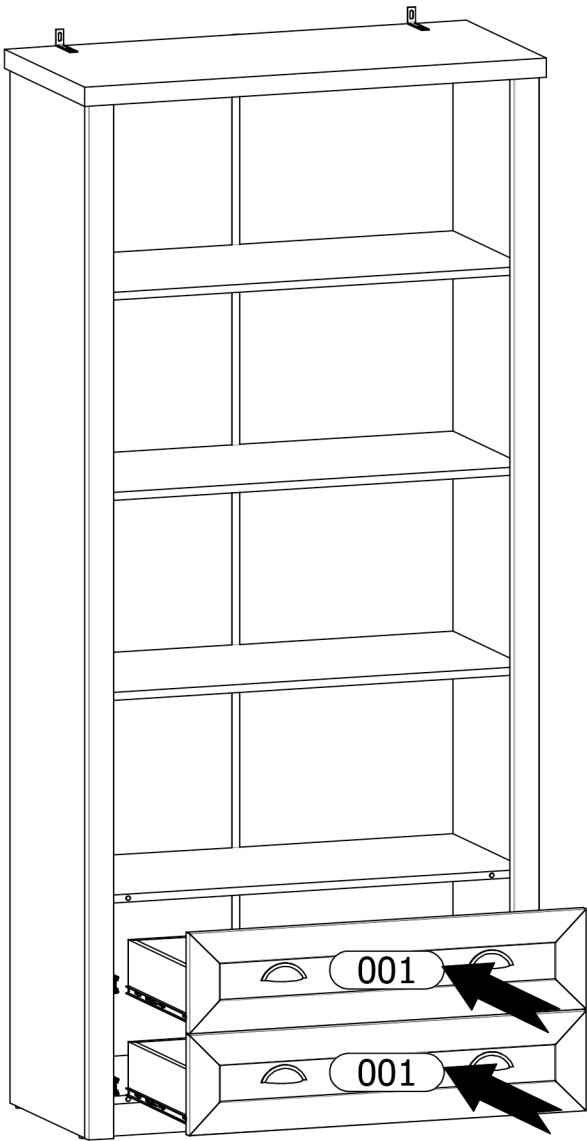


ca. 100 mm

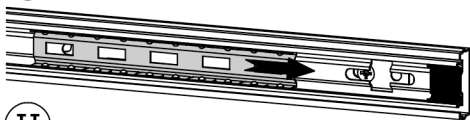
ca. 100 mm



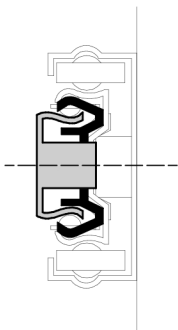
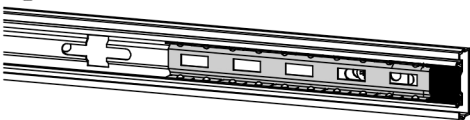
25




I

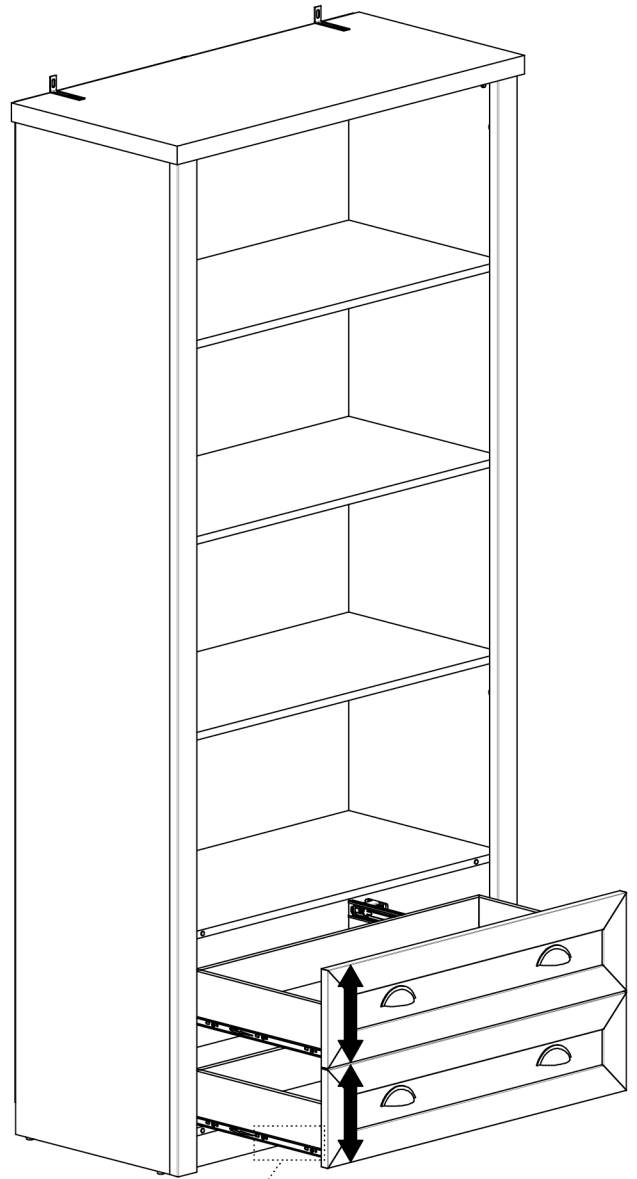
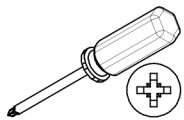


II



26

W1 x 4

 Ø3,5x13mm



I



II

